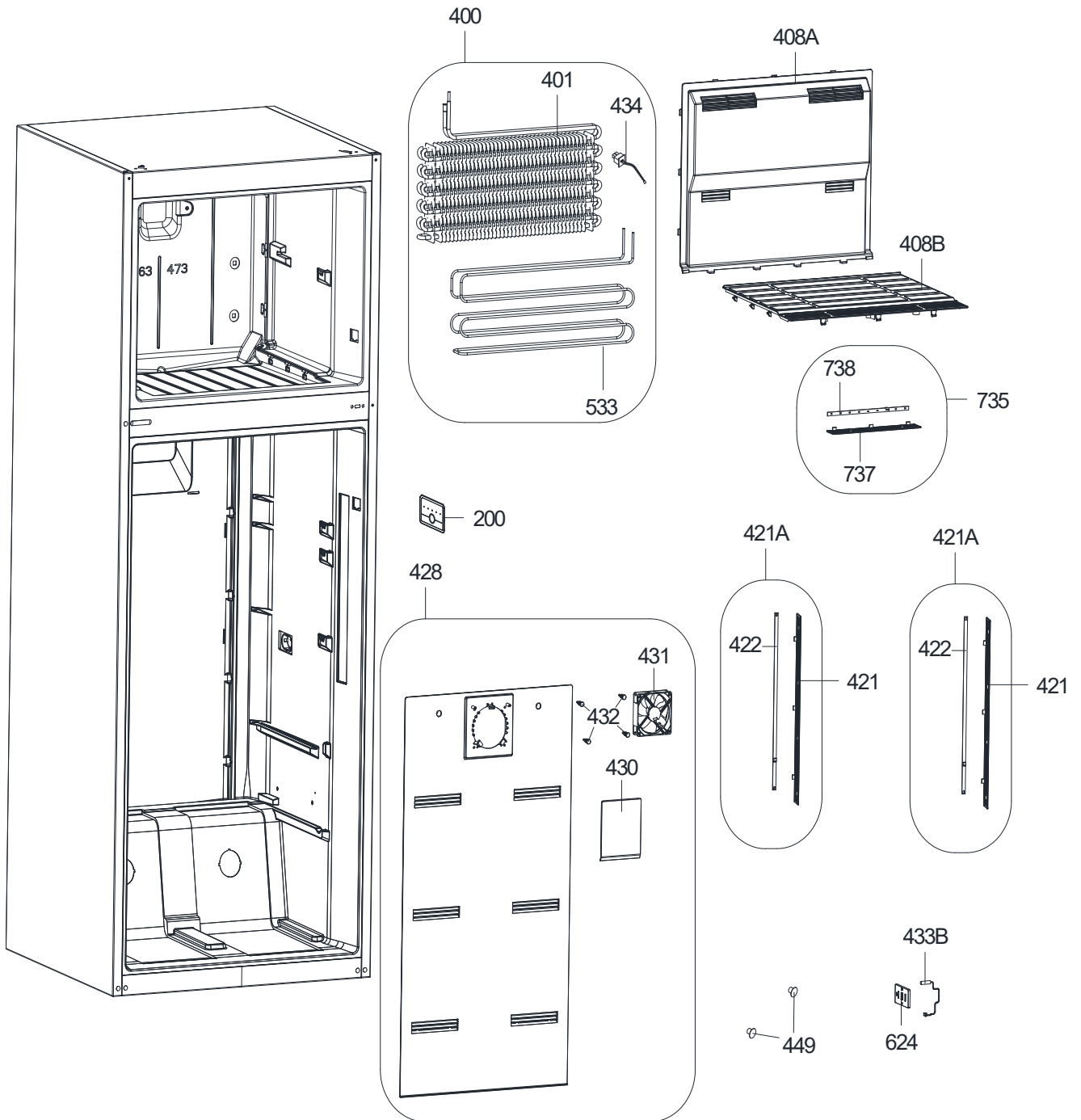


| | | |
|------------------------------|----------------------------|--------------------------------------|
| VESTEL WHITE GOODS | 463 INNER DISPLAY | CUSTOMER SUPPORT |
| | INTERIOR PARTS LIST | |

| POSITION NUMBER | PART NAME |
|-----------------|-------------------------------|
| 2 | TOP HINGE/2451 |
| 9 | HINGE MIDDLE/473 |
| 13 | DOOR SWITCH |
| 16 | ADJUSTABLE FOOT M8X35 |
| 16B | ADJUSTABLE STABILIZER FOOT M8 |
| 19 | F GLASS SHELF/473 |
| 20 | FREEZER GLASS SHELF PRF/473 |
| 37 | R GLASS SHELF/473 |
| 38 | REF. GLASS SHELF PRF/473 |
| 39 | R GLASS SHELF/473 |
| 40 | CRISPER FLAP GR/473 |
| 41 | CRISPER 473 |
| 61 | ICEMATIC/473 |
| 62 | BUZMATIK COVER/473 |
| 63 | ICE TRAY SPRING |
| 64 | ICE TRAY/CUBE |
| 65 | ICE TRAY KNOB/CUBE |
| 66 | ICEMATIC FRAME/473 |
| 67 | ICE BOX/473 |
| 71 | WINE SHELF (OPTIONAL) |
| 87 | FRONT WHEEL GR. |
| 89A | HINGE COVER 2451 |
| 89B | HINGE COVER 2451 |
| 164 | DOOR HANDLE SCREW CAP |
| 340 | CHILLER/473 |
| 449 | R MULTIFLOW CAP |
| 505 | MIDDLE HINGE SREW CAP |
| 641 | BOTTOM HINGE GR/473 |
| 753 | CHILLER RAY RIGHT/473 |
| 754 | CHILLER RAY LEFT/473 |
| 333B | CRISPER ROLLER/910 |

JANUARY 2021



| | | |
|------------------------------|-----------------------------|--------------------------------------|
| VESTEL WHITE GOODS | 463 INNER DISPLAY | CUSTOMER SUPPORT |
| | MULTIFLOW PARTS LIST | |

| POSITION NUMBER | PART NAME |
|-----------------|----------------------------------|
| 200 | DISPLAY BOX GR |
| 400 | FIN EVAP GR./463-473 |
| 401 | FIN EVAPORATOR/463-473 |
| 413 | RADYAL FAN MOTOR |
| 421 | LED COVER COOLING |
| 421A | LED COVER GR/373 RIGHT |
| 422 | LED STRIP/COOLING |
| 428 | MULTI FLOW GR/473 |
| 430 | COOLING FAN COVER |
| 431 | TUR.FAN MOTOR |
| 432 | MOTOR FAN KAU. |
| 434 | SENSOR/STANDARD/R6K/200MM/SINGLE |
| 449 | R MULTIFLOW CAP |
| 533 | FIN EVAP HEATER/463 |
| 624 | SENSOR COVER 473 |
| 735 | LED COVER GR/319 |
| 737 | LED COVER/319 |
| 738 | LED STRIP |
| 408A | FREEZING WEATHER CHANNEL GR/473 |
| 408B | F MULTIFLOW LOWER COVER /473 |
| 433B | SENSOR/STANDARD/R6K/70MM/SINGLE |

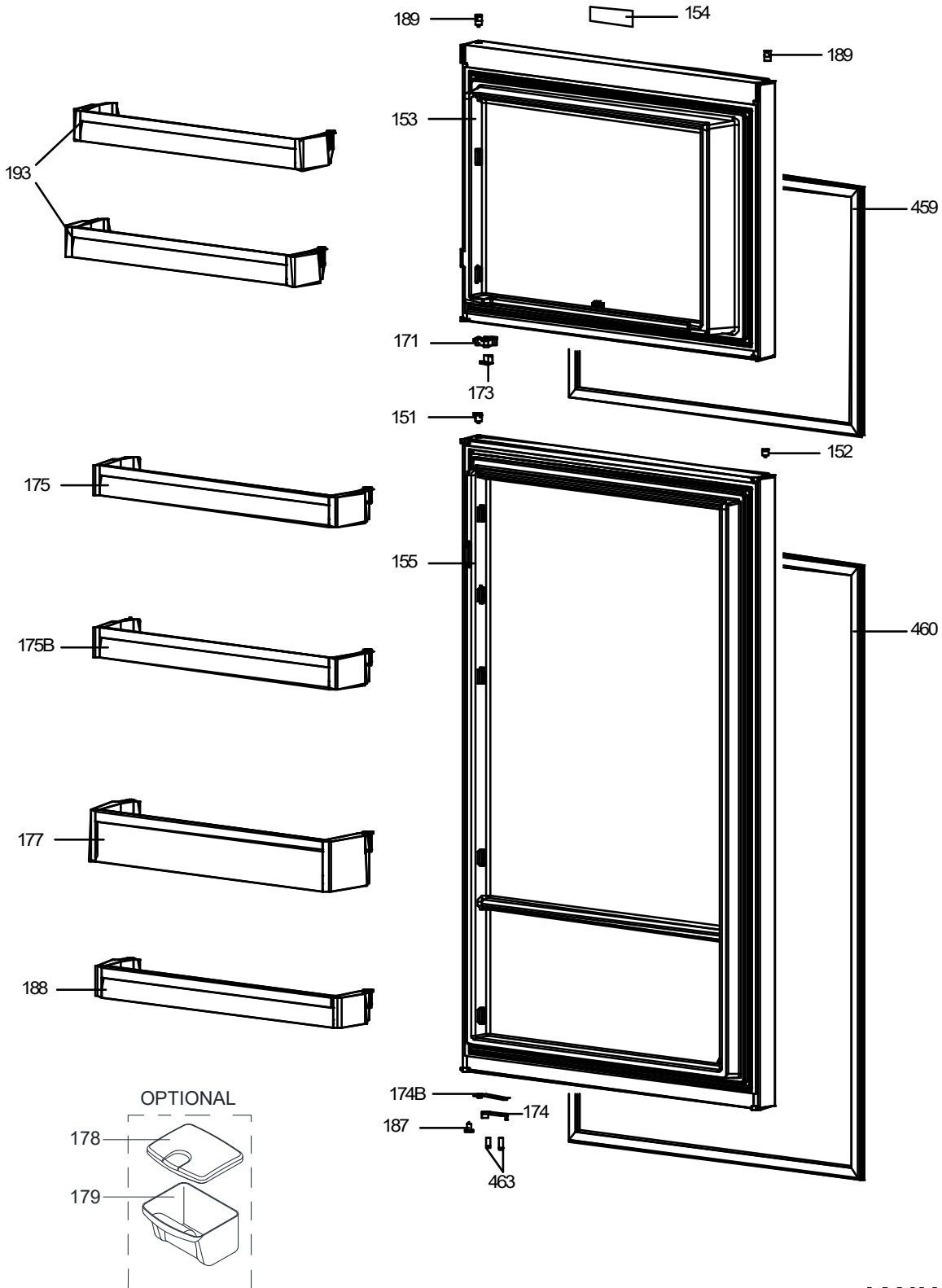
JANUARY 2021

VESTEL
WHITE GOODS

463 INNER DISPLAY

DOOR ASSY. PARTS

**CUSTOMER
SUPPORT**

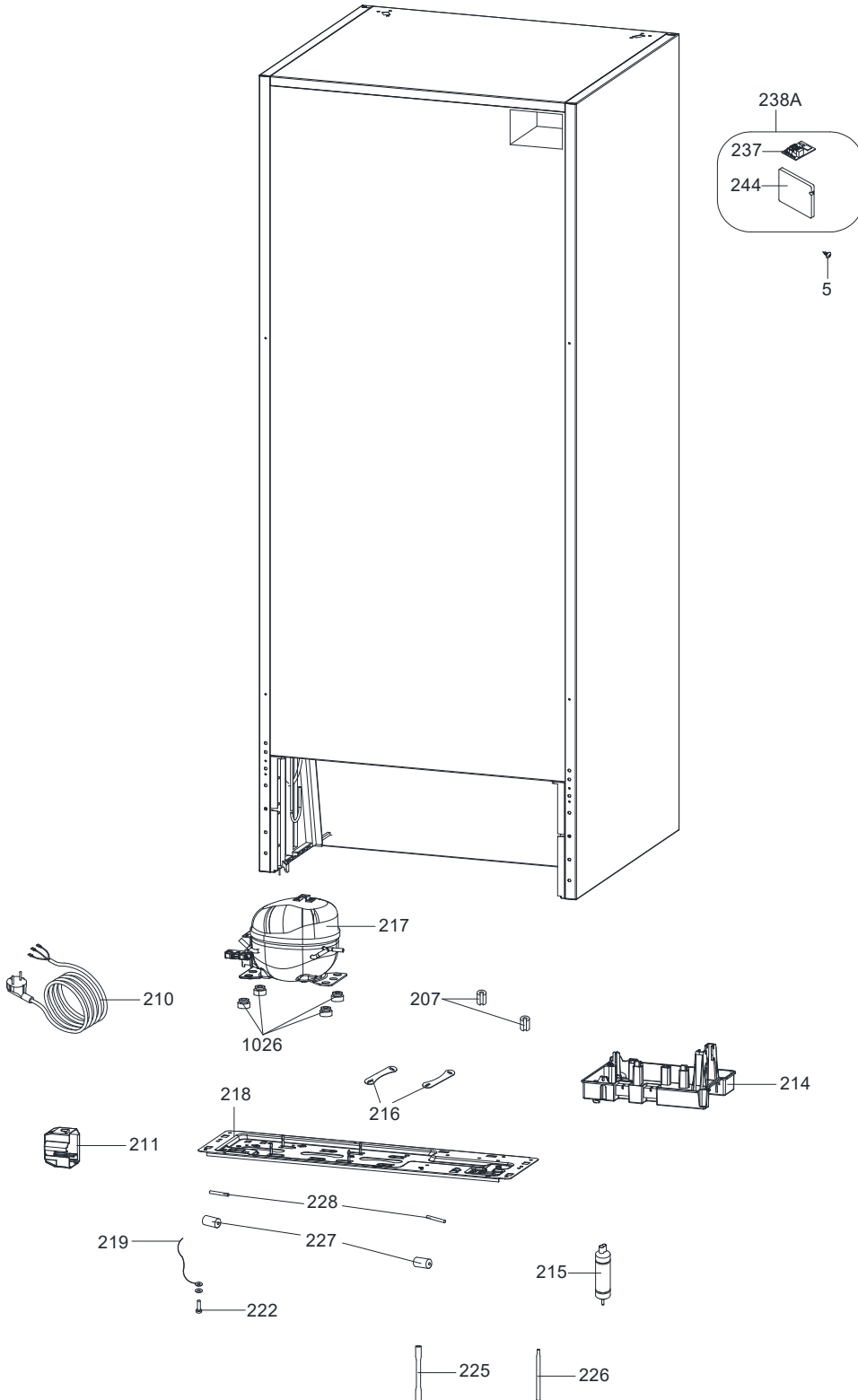


JANUARY 2021

| | | |
|------------------------------|------------------------------|--------------------------------------|
| VESTEL WHITE GOODS | 463 INNER DISPLAY | CUSTOMER SUPPORT |
| | DOOR ASSY. PARTS LIST | |

| POSITION NUMBER | PART NAME |
|-----------------|-------------------------------------|
| 151 | BUSHING/345P |
| 152 | BUSHING CAP |
| 153 | F DOOR ASSY/463M |
| 154 | LOGO |
| 155 | R DOOR ASSY/463 |
| 171 | CATCHER 473 |
| 173 | DOOR CATCHER STOPPER/473 |
| 174 | R BOTTOM STOPPER/HC |
| 174B | R BOTTOM STOPPER REINFORCEMENT 473 |
| 175 | CHEESE/BUT.SHELF/473 |
| 175B | ADJ. DOOR SHELF GR/473 |
| 177 | BOT SHELF/473 |
| 178 | AROMA BOX COVER (<i>OPTIONAL</i>) |
| 179 | AROMA BOX (<i>OPTIONAL</i>) |
| 187 | BUSHING/345CE |
| 188 | BOT.SHELF/473 |
| 189 | BUSHING/540CE |
| 193 | F DOOR SHELF/473 |
| 459 | F DOOR GASKET/463H |
| 460 | R DOOR GASKET/473H |
| 463 | SCREW TT M5*20 YHB-F |

JANUARY 2021



| | | |
|------------------------------|----------------------------------|--------------------------------------|
| VESTEL WHITE GOODS | 463 INNER DISPLAY | CUSTOMER SUPPORT |
| | COOLING SYSTEM PARTS LIST | |

| POSITION NUMBER | PART NAME |
|-----------------|---------------------------|
| 207 | ANTIVIBRATION (CONDANSER) |
| 210 | POWER CORD |
| 211 | VFL090CY1/INVERTER S |
| 214 | EVAPORATING TRAY GR |
| 215 | DRYER |
| 216 | COMP FIXING BRACKET |
| 217 | COMPRESSOR |
| 218 | COMP BASEMENT/455 |
| 219 | EARTH WIRE/PGYB-WASHER |
| 222 | SCREW TT M4*6 YSB-T-F |
| 225 | SERVICE TUBE |
| 226 | DRYER VACUUM TUBE |
| 227 | FRONT/BACK WHEEL |
| 228 | REAR WHELL PIN |
| 238A | MAINBOARD BOX COVER GR |
| 237 | MB/BDA05-7/473EA+ |
| 244 | MAINBOARD COVER L |
| 1026 | COMP.RUBBER |

JANUARY 2021